

## AMORPHOUS CORE POWER INDUCTORS FROM BMG TORTRAN

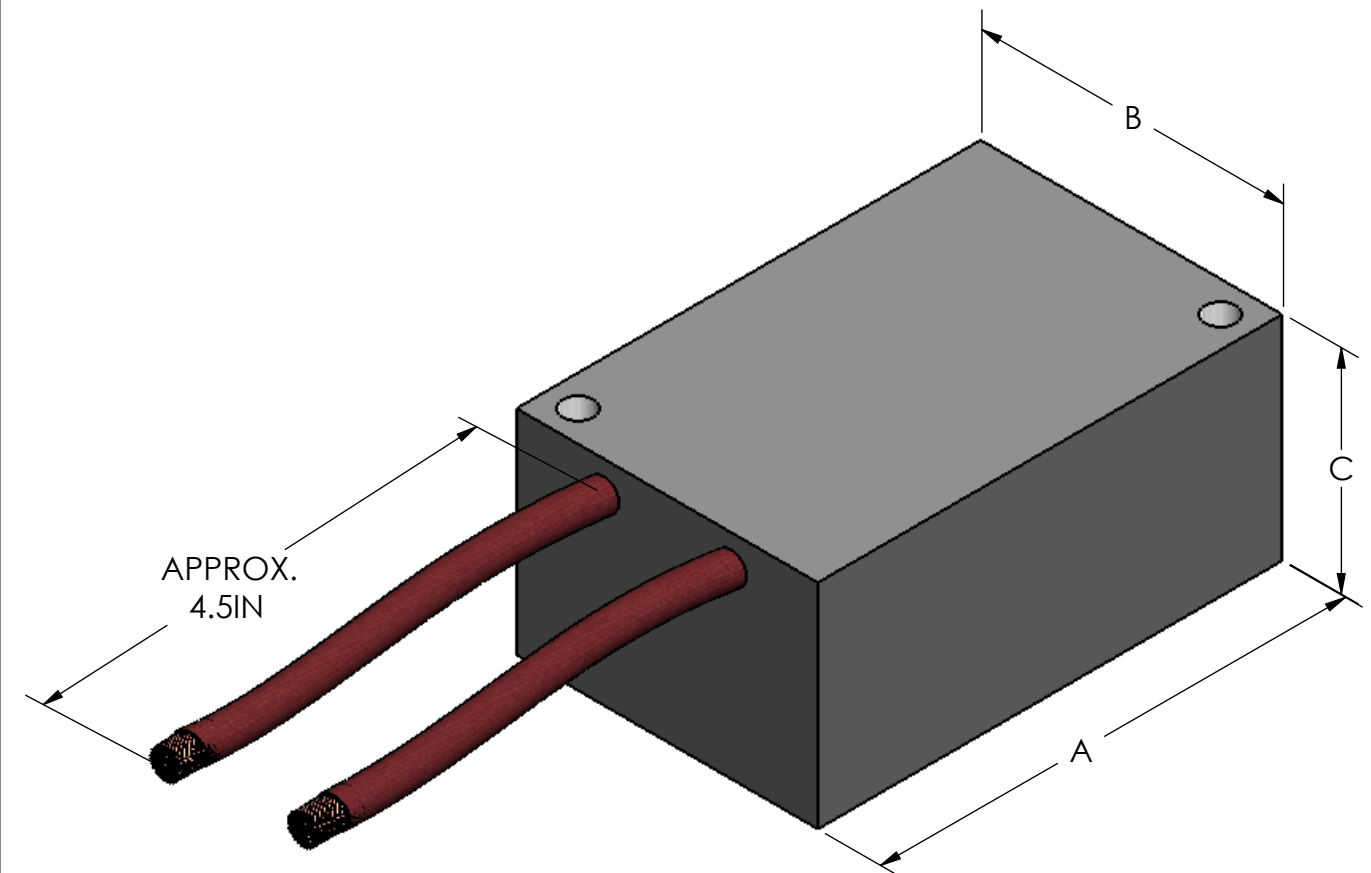
Bridgeport Magnetic Group's Tortran division is introducing high frequency, high power inductors utilizing gapped, amorphous ribbon cores.

The inductors combine high inductance and current values with low losses at frequencies in the 20kHz range. High wattage switching devices benefit from compact, energy saving chokes for power factor correction and in input and output filter applications. They are smaller and lighter than equivalent designs with silicon iron and powdered iron cores. The inductors are box shaped and completely encapsulated in black epoxy resin. The insulation system is class F (155C).

The same architecture is used un-gapped in transformers for switch mode power supplies

Typical uses are in UPS systems, Variable frequency inverters, On-grid Solar and Wind Power, and Harmonics filtering..

Our flexible manufacturing cells allow easy custom design, to meet specific requirements. The table shows a few examples in order to illustrate the versatility. The values are approximate, based on 20% ripple current content @20kHz.



Amorphous Metal Power Inductors from BMG Tortran					
Inductance L myH	A rms	DCR mOhms	Loss W	Dimension A"xB"xC"	Mass. lbs.
500	40	7	23	4.4"x3"x2"	4 lb
1000	60	10	70	5.2"x4.5"x4"	12 lb
5000	50	40	180	7"x5.8"x5"	27 lb

**BRIDGEPORT  
MAGNETICS GROUP, INC.**  
TORTRAN DIVISION  
6 Waterview Drive, Shelton, CT 06484 USA  
203.954.0050 Toll Free: 800.836.5920 fax 203.954.0051