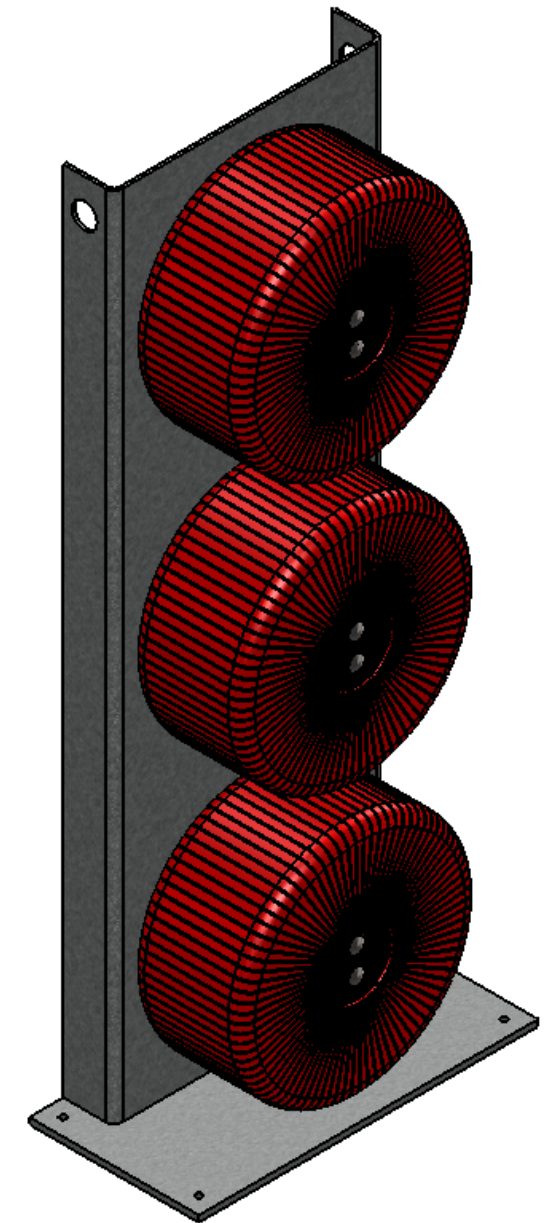
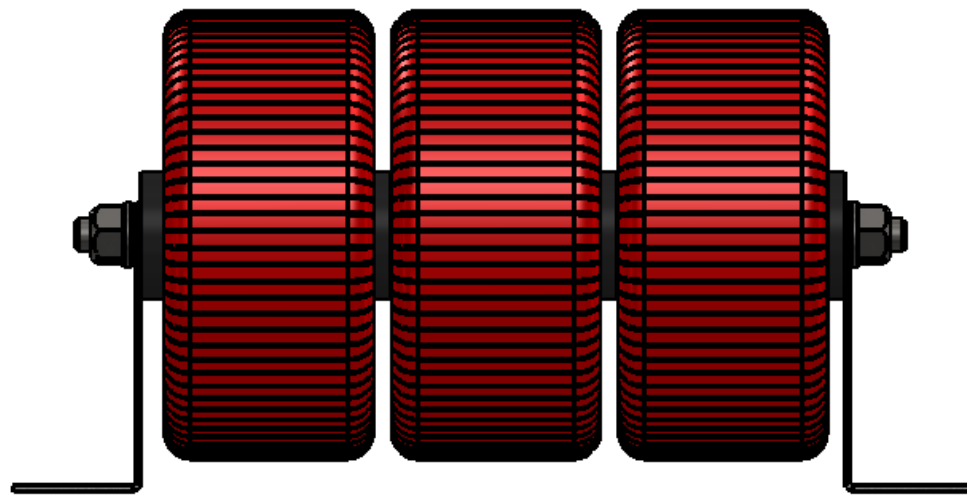
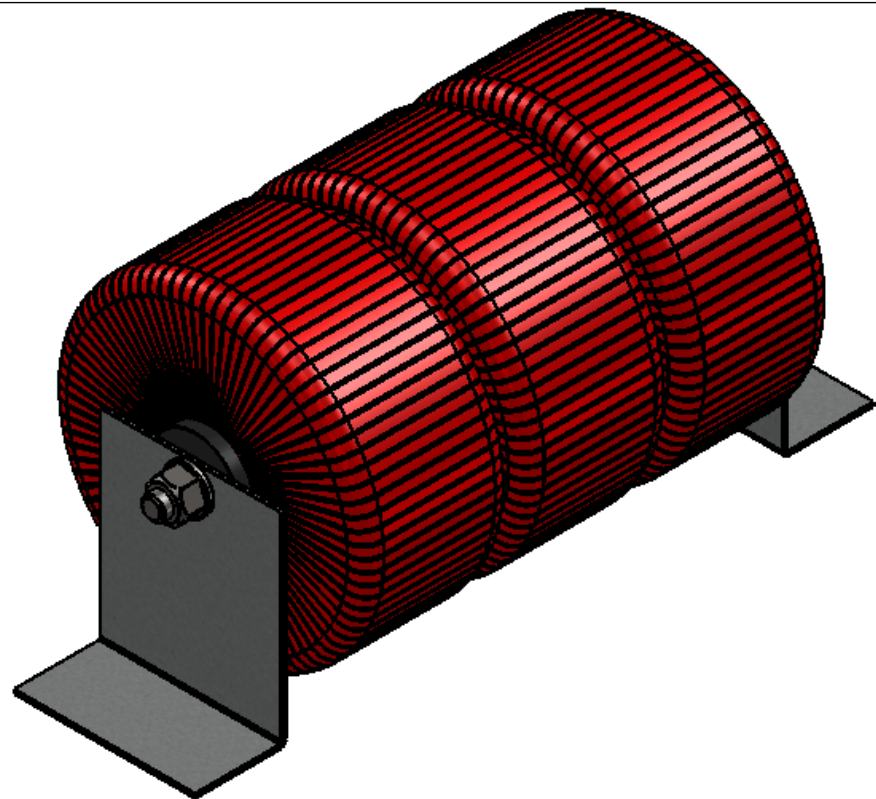
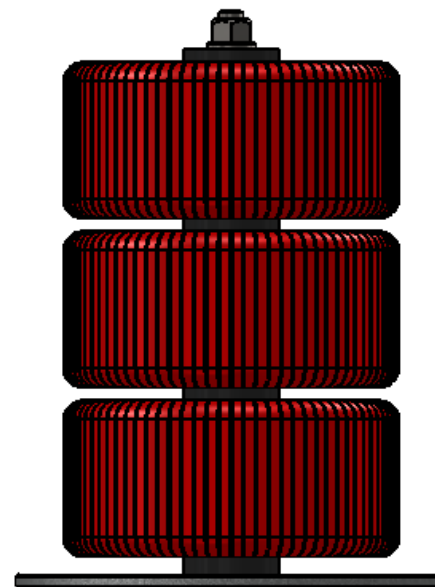
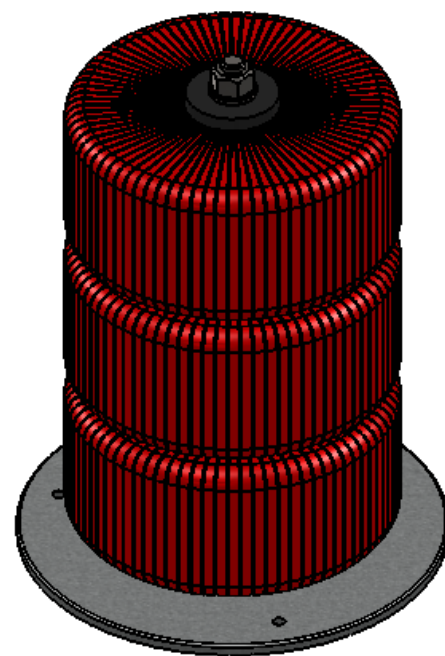
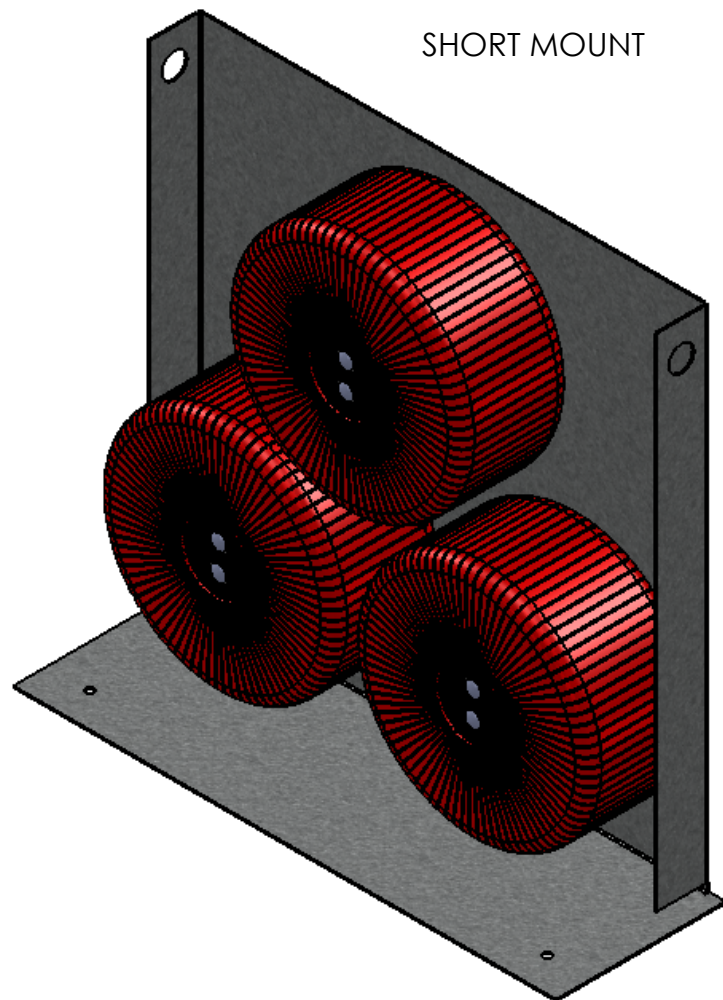


8 7 6 5 4 3 2 1

HORIZONTAL SPINDLE MOUNT



SHORT MOUNT



VERTICAL SPINDLE MOUNT

UNLESS OTHERWISE SPECIFIED:  
 DIMENSIONS ARE IN MILLIMETERS  
 TOLERANCES:  
 FRACTIONAL ±  
 ANGULAR: MACH ± BEND ±  
 TWO PLACE DECIMAL ±  
 THREE PLACE DECIMAL ±

PROPRIETARY AND CONFIDENTIAL

THE INFORMATION CONTAINED IN THIS  
 DRAWING IS THE SOLE PROPERTY OF  
 <INSERT COMPANY NAME HERE>. ANY  
 REPRODUCTION IN PART OR AS A WHOLE  
 WITHOUT THE WRITTEN PERMISSION OF  
 <INSERT COMPANY NAME HERE> IS  
 PROHIBITED.

	NAME	DATE
DRAWN	TPB	02-03-11
APPROVED		
MATERIAL		
FINISH		
DO NOT SCALE DRAWING		

**BRIDGEPORT  
 MAGNETICS GROUP, INC.**  
 6 Waterview Drive, Shelton, CT 06484 USA  
 203.954.0050 Toll Free: 800.836.5920 fax 203.954.0051

SIZE <b>B</b>	DWG. NO. <b>3 PHASE CONFIGURATION OPTIONS</b>	REV
SCALE: 1:8	WEIGHT:	SHEET 1 OF 1

8 7 6 5 4 3 2 1